

AR770, AR771

GALVANIC SEPARATOR



AR770



AR771

Galvanic separation of current loop circuits, passive separator, requires no power

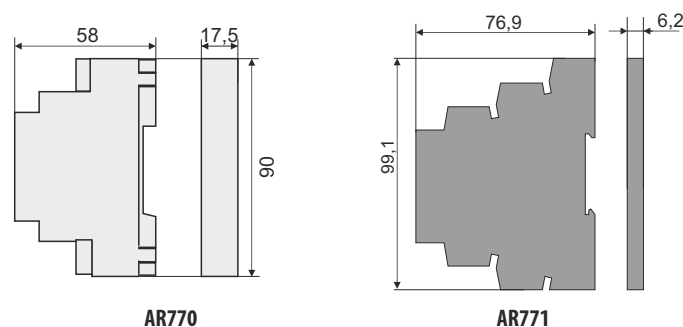
- linear conversion of current signal 0÷22mA
- into current signal 0÷22mA
- power supply from current loop
- galvanic separation of current loop circuits without power supply
- housing for mounting on DIN rail
- high accuracy and immunity to interference

Ordering procedure

AR770
AR771

TECHNICAL DATA	
Current input I_{in}	0÷22 mA
- input voltage	$3V + I_{out} \times R_{obc}$
- overvoltage protection	18 V
- reverse polarity protection	
Current output I_{out}	0÷22 mA
- load resistance R_{obc}	0...100...500 Ω
Permissible overload	40 mA
Processing error (without overload)	
- for load resistance $0 \leq R_{obc} < 250 \Omega$	$\leq 0,1\%$ to 24mA
- for load resistance $250 \leq R_{obc} < 400 \Omega$	$\leq 0,2\%$ to 25mA
- for load resistance $400 \leq R_{obc} < 500 \Omega$	$\leq 0,3\%$ to 24mA
- impact of ambient temperature changes	$\leq 0,005\%$ /°C
Withstand voltage	- AR770 1500 V, 50 Hz, 1 min - AR771 500 V, 50 Hz, 1 min
Rated operational conditions	0 ÷ 65 °C, 0 ÷ 95 %RH (non-condensing)
Protection rating	IP50 (housing), IP20 (terminals)
Wiegth	~ 35g
Electromagnetic Compatibility (EMC):	- immunity: acc. to PN-EN 61000-6-2 - emissivity: acc. to PN-EN 61000-6-4

DIMENSIONS, INSTALLATION DATA		
	AR770	AR771
Dimensions	17,5x90x58 mm	6,2x76,9x99,1 mm
Fixing methods	on a 35 mm DIN rail	
Material	NORYL 94V-0	polyamide (UL94V-0)



TERMINAL STRIPS, ELECTRICAL CONNECTION

