

CHARACTERISTIC

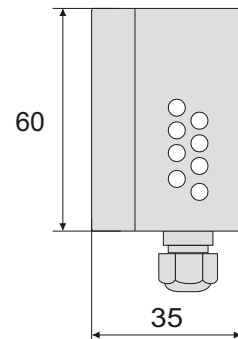
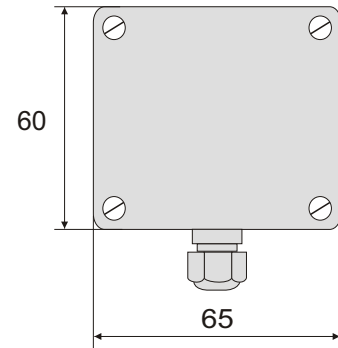
Resistance sensor designed to measure indoor temperature.

TECHNICAL DATA

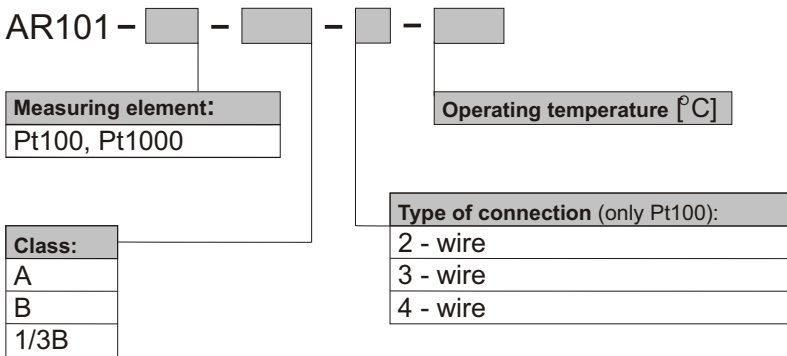
Measuring element.....Pt100, Pt1000, acc. PN-EN60751+A2
Measurement range.....-30°C do 100°C
Connection system.....2, 3 or 4 wire
Housing.....60x65x35 mm, IP65
Holes2 x Ø4,3 mm
Hole spacing.....46x34 mm
Material obudow.....polycarbonate



MOUNTING DATA



ORDERING PROCEDURE



For example

AR101 - Pt100 - B - 3 - 50°C

above code means a sensor with a resistance thermometer Pt100, class B, with 3-wire, working in range up to 50°C