

AR152 Temperature sensor



CHARACTERISTIC

Sensor designed to measure the temperature of liquids, gases and others substances in tanks, pipelines, central heating installations and others devices, transducer can be mounted inside the head.

TECHNICAL DATA

Measuring element.....Pt100, Pt1000, by PN-EN60751+A2
J (FeCu-Ni), K (NiCr-NiAl) by PN-EN60584

Measurement range.....to 400°C for Pt100, Pt500, Pt1000
to 800°C for thermocouple J
to 1150°C for thermocouple K

Sheath material.....steel 1HN18N9T (1.4541)
steel H18N10MT (1.4571)
steel H25N20 (1.4841)

Connection set(Pt100).....2, 3 or 4 wires

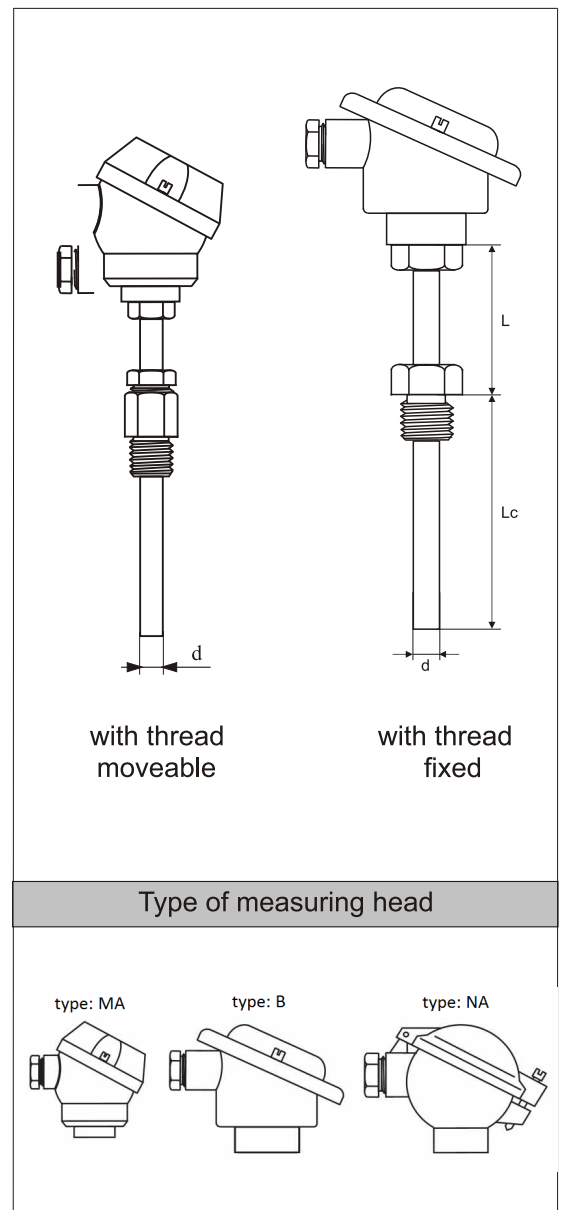
Head working temperature...to 100°C

Type of spigot.....fixed or movable

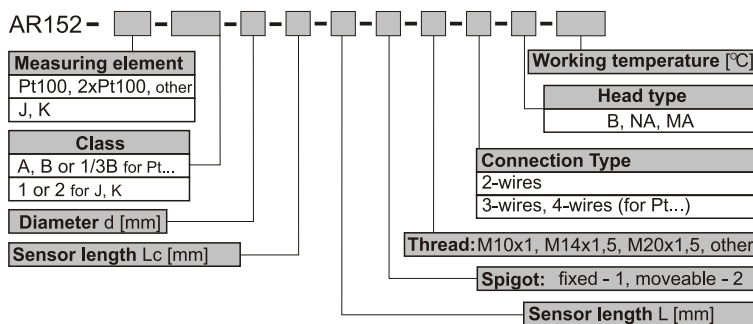
Thread dimension.....M10x1, M12x1,5, M14x1,5, G1/2, other



INSTALLATION DATA



HOW TO ORDER



ORDER EXAMPLE

AR152 - Pt100 - B - 10 - 200 - 100 - 1 - G1/2 - 3 - B - 350°C

code above indicates sensor with Pt100 resistance thermometer, class B, with diameter of 10 mm, length Lc = 200mm, length L = 100mm, with G1 / 2 fixed thread, 3-wire, in version with a B-type head, operating in the range up to 350°C